



Datenblatt - Fiche technique - Data sheet

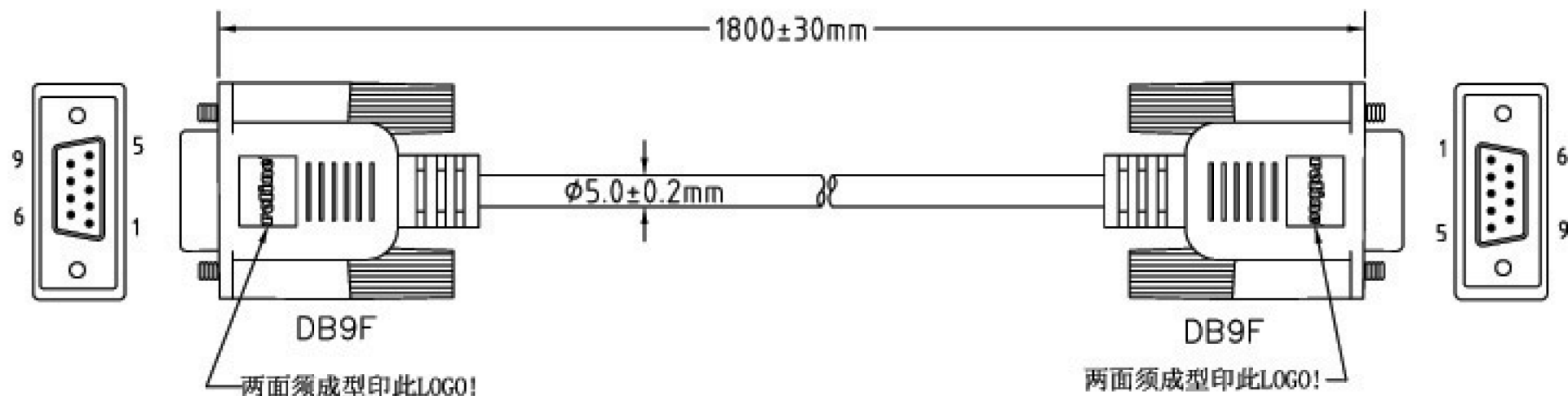
11.01.5918



ROLINE RS232-Kabel 9pol BU-BU, 1,8m

ROLINE Câble RS-232 9 pôles F/F, 1,8m

ROLINE RS232 Cable, DB9 F - F, 1.8 m

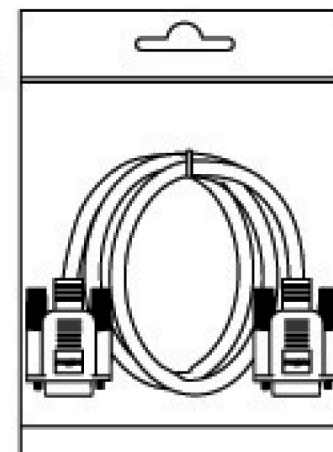


NOTE:

注: 线材颜色须用RLA专用米色!

1. CABLE: 28AWG, NON-UL, AL-FOIL, 9C+1, BEIGE COLOR, OD=5.0mm. PVC JACKET.
2. LENGTH: 1800mm
3. CONNECTOR: DB9F*2PCS (黑胶芯)
4. MOLD: MOLDING APPLE TYPE
5. SCREW: 4*40 INCH THUMB SCREW*4
6. CONTACTS:

DB9F	1	2	3	4	5	6	7	8	9	64
DB9F	1	2	3	4	5	6	7	8	9	64
7. OPEN/SHORT TEST: 100% TEST.
INSULATION: 1M.
8. ALL MUST BE ROHS COMPLIANT.

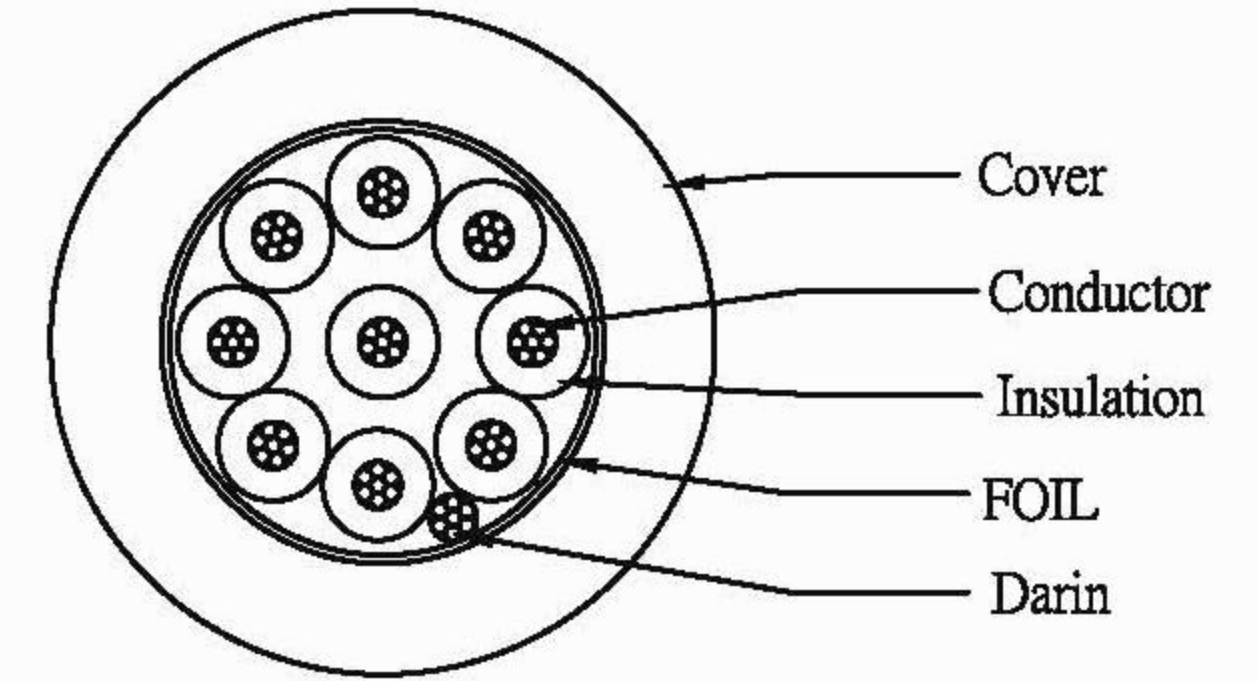


PE BAG(190*300*0.06)
1PCS/PE BAG+吊卡+条码贴纸

COMPANY	RLA		ITEM NO.	11.01.5918	編號	B3864	ROTRONIC CO., LTD.	SCALE	
REVISION	DATE	DISCRIPTION	DRAWN BY					UNIT(mm)	
REV.A/0	2006.04.28	C13-2604056	DESIGNED BY					DRAWING NO.	
			APPROVAL BY						

Specification	28AWG*9C+EA/NONUL OD:5.0MM			
Inner Wire	9C			
Conductor	Cond Size	7/0.12±0.008MM		
	Material	Tinned copper		
	Twist Space	10.8MM		
Insulation	Material	PVC/32P		
	Diameter	0.90±0.05MM		
		/		
Twist	Twist Space	/		
	Drain Wire	/		
Shielded	Shielded Way	/		
	Coverage Rate	/		
Middle Cover		/		
		/		
		/		
Assemble	Twist Space	80MM		
	Drain Wire	7/0.12±0.008MM Tinned copper		
	Foil Specifications	0.025*14MM, Single conductor toward outside.	Filling	/
	Cotton paper Shielded	/	Overlapping	25%
Coverage	Construct	/		
	Coverage Rate	/		
Cover	Material	PVC/70P (RLA beige)		
	Outer Dia	5.0±0.15		
	Surface finished	Semi beige		
Printing				

Constructin:



Filament color:

Pairs : Gray/Yellow/Red/Purple/Blue/Brown/White/Green/Black
Cover : beige

COMPANY	/		ITEM NO.	/		NO	/	
REVISION	DATE	DISCRIPTION	DRAWN BY					
REV. A/0	20110224		DESIGNED BY					
			APPROVAL BY					

Rotronic Co.,Ltd.

SCALE	NON
UNIT(mm)	
DRAWING NO.	2010070502