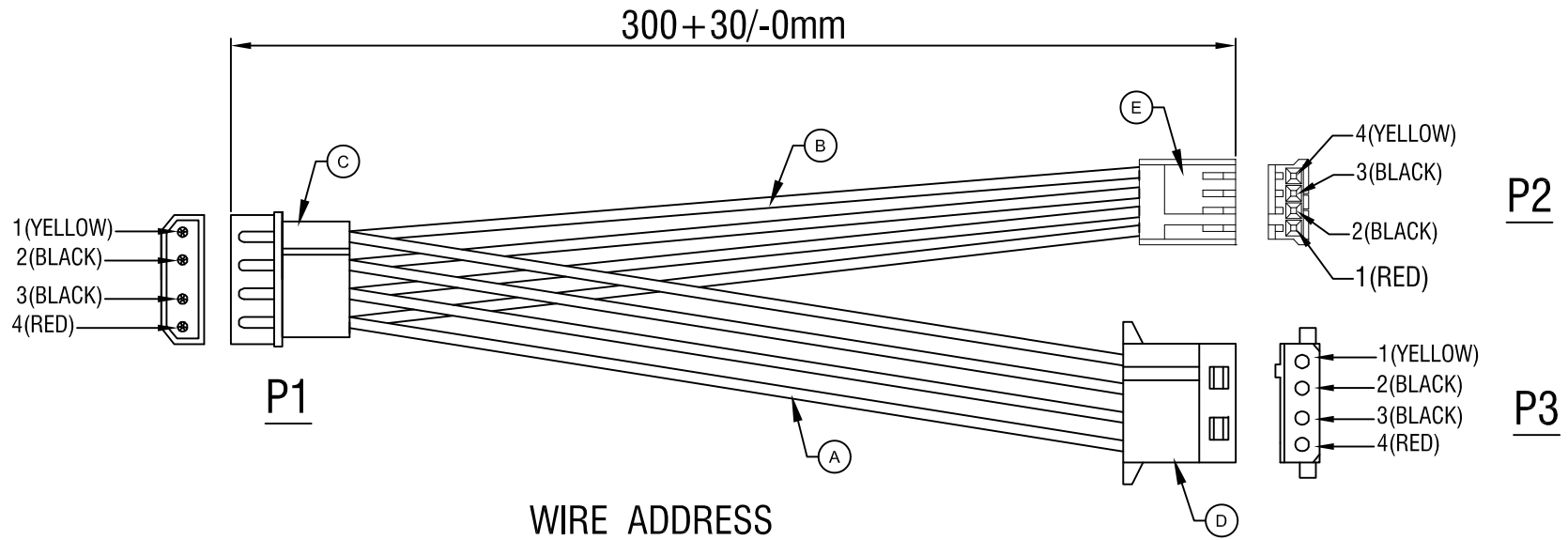


RoHS Compliant



WIRE ADDRESS

<u>P1</u>	<u>P2</u>	<u>P3</u>
1 _____	4 _____	1
2 _____	3 _____	2
3 _____	2 _____	3
4 _____	1 _____	4

Electrical Test:

- 1.100% TEST OPEN SHORT MIS-WIRE.
- 2.CONTACT RESISTANCE:3Ω MAX.
- 3.INSULATION RESISTANCE:5MΩ MIN.
- 4.HI-POT:300V DC/10MS.

E	SMALL 4P FEMALE(White Housing)	1	PCS
D	BIG 4P FEMALE(Transparent White Housing)	1	PCS
C	BIG 4P MALE(Transparent White Housing)	1	PCS
B	L1007 HOOK-UP WIRE 20AWG COLOR:RED,BLACK,YELLOW	/	PCS
A	L1007 HOOK-UP WIRE 18AWG COLOR:RED,BLACK,YELLOW	/	PCS
NUMBER	PRODUCT SPECIFICATIONS	Quantity	Unit

ROLINE Internal Y-Power Cable, 4-pin HDD to 4-pin HDD+4-pin FDD		
Item	11.03.1010	
Draw	Kobe	Date:2022.09.13
Approval		
Duty	F16	BOM.NO:

SECOMP