



Datenblatt - Fiche technique - Data sheet

**11.03.1565**

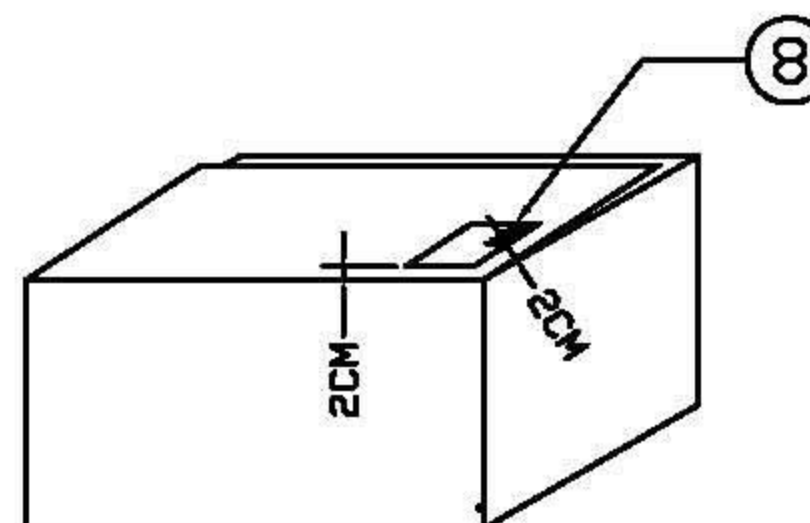
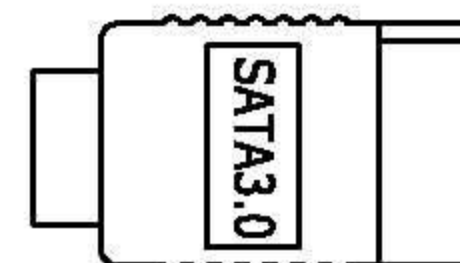
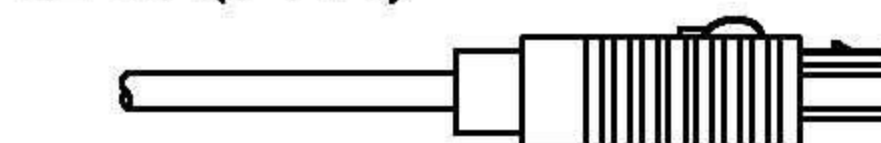
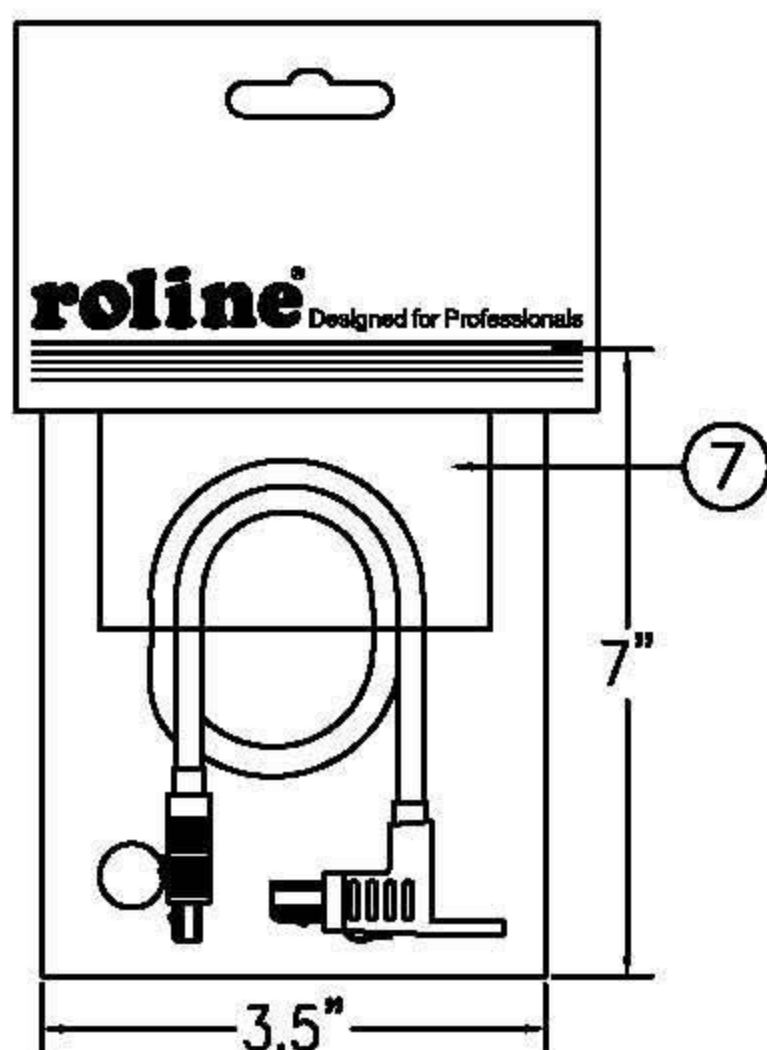
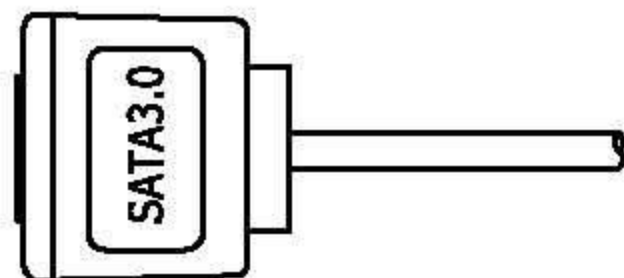
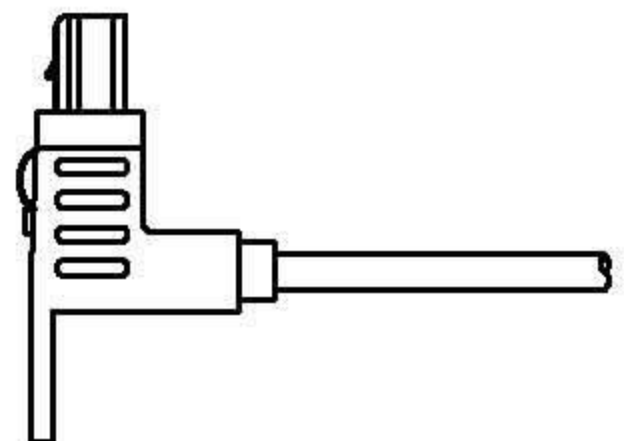
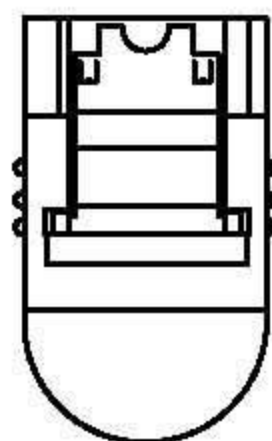
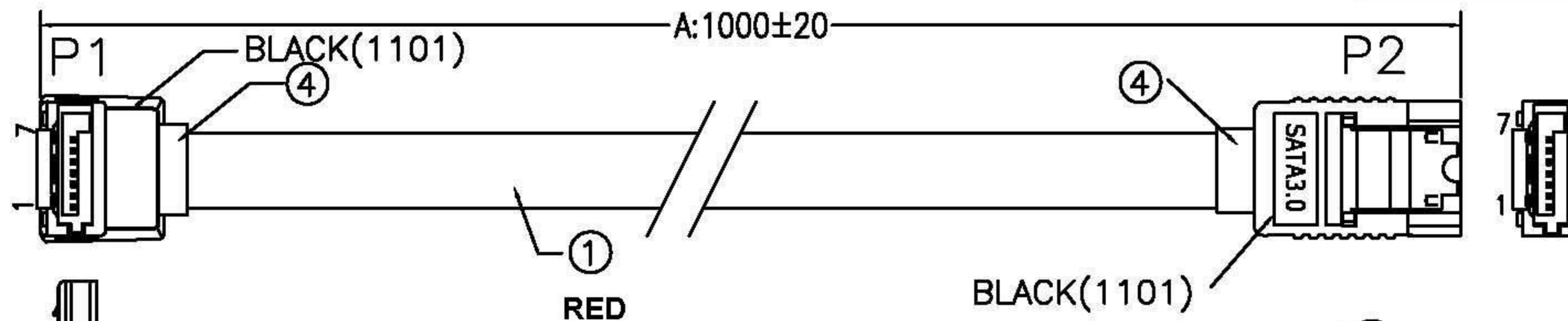


ROLINE Int. SATA 6.0 Gbit/s HDD-Kabel mit Schnappverschluss, gewinkelt,  
1,0m

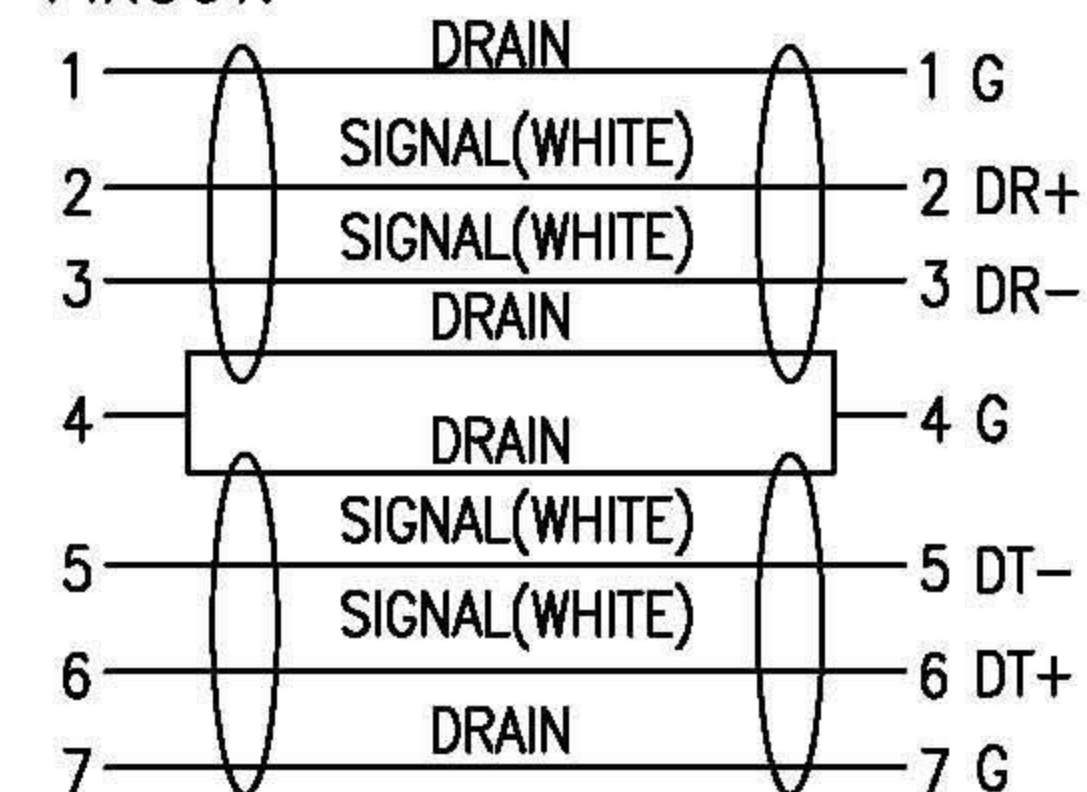
ROLINE Câble SATA 6.0 Gbit/s interne avec attache, coudé, 1,0 m

ROLINE Internal SATA 6.0 Gbit/s Cable, angled, with Latch, 1.0 m

unit:mm



PINOUT:



NOTE:

- 1) CONDUCTOR RESISTANCE:1 Ω Max;  
INSULATION RESISTANCE: 50M Ω Min;  
HI-POT:DC 300V;  
SHORT AND OPEN 100% TESTING  
DIE NO.: P1 OZ07105 P2 OZ07101
- 2) RoHS COMPLIANT.
- 3) 1PCS/PE BAG+HEADER PAPER+LABEL(7).
- 4) 25PCS/INNER BOX+LABEL(8).
- 5) 2PCS INTO A OUTER BOX.

4	INNER JACKET PE RoHS
3	OUTER JACKET 45Pa PVC BLACK(1101) RoHS
2	SATA 7PIN CONNECTOR BLACK PBT TERMINAL PLATED GOLD 3U"
1	SATA 3.0(2C*26AWG+AL+2D)*2C OD:2.2*7.6MM RED 1000MM RoHS

A	FIRST EDITION	J. L. 2011	27/01/11
REV.	ECR	DESCRIPTION	C.N. DATE
		<b>Rotronic Co., Ltd.</b>	
UNLESS OTHERWISE SPECIFIED: DIMENSIONS ARE IN MILLIMETERS ANGULAR TOLERANCE: ±1.0°		ROLINE Internal SATA 6.0 Gbit/s Cable, angled, 1.0m	
DIMENSIONS		TOLERANCE	CHKD.
0.00 TO 30.00mm		±0.10mm	
30.01 TO 80.00mm		±0.13mm	DR. J. L. 2011
80.01 TO 150.00mm		±0.15mm	APPD.
150.01mm		±0.20mm	
MATERIAL	MATERIAL		PART NO. 11.03.1565
FINISH	FINISH		SCALE SHEET 1/1 UNIT MM SIZE A4 REV. A