



Datenblatt - Fiche technique - Data sheet

12.01.4005



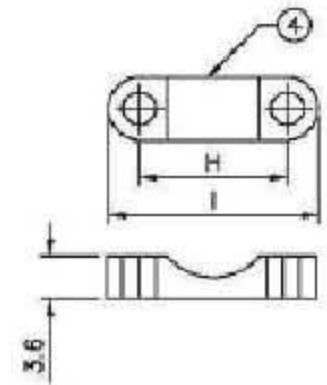
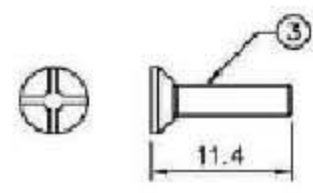
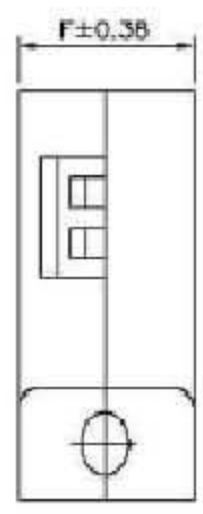
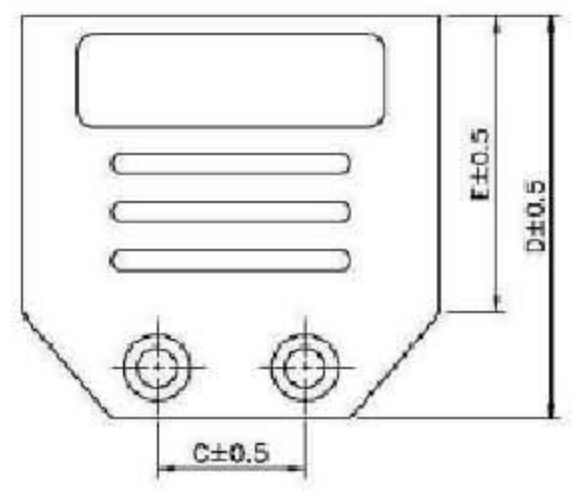
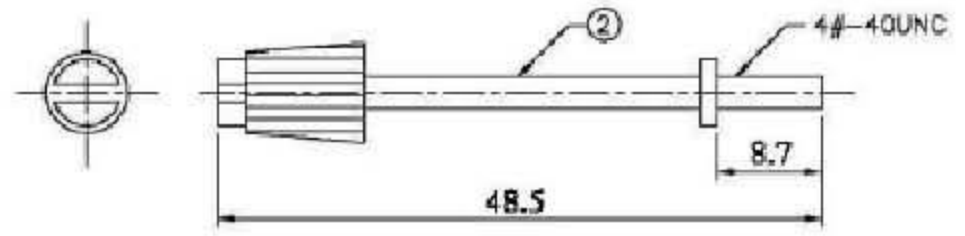
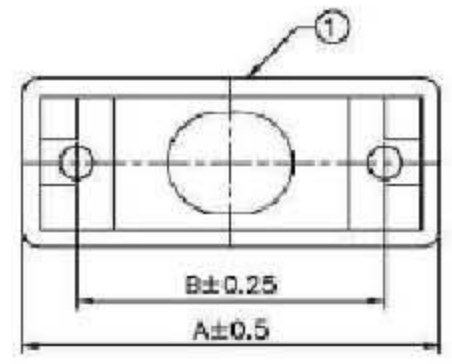
D-Sub-Steckergehäuse 9polig/HD15

Boîtier pour connecteur DB9 / HD15

D-Sub Connector Casing 9-pin/HD15

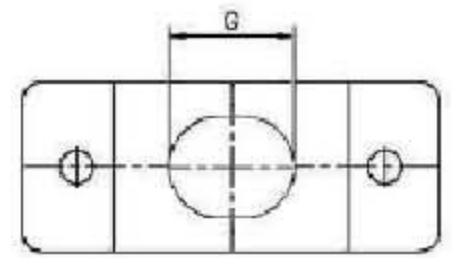
1 2 3 4 5 6 7 8

REV.	DATE	DESCRIPTION	DRAW	APR.
TO	2005/05/08	NEW RELEASE	JACK	JAMES



Item no.	Pos.
12.01.4005	09
12.01.4010	15
12.01.4015	25

Pos.	A	B	C	D	E	F	G	H	I
09	33.8	24.99	12.0	33.3	24.6	14.8	8.5	12.0	17.0
15	42.2	33.32	16.0	32.8	23.6	14.8	10.5	16.0	21.0
25	56.3	47.04	16.0	36.5	25.6	14.8	11.0	16.0	21.0
37	72.7	63.50	16.0	39.2	26.4	15.0	11.0	16.0	21.0
50	70.1	61.11	16.0	41.2	26.4	18.5	12.0	16.0	21.0



4	Clamp Black	PP	Color: Black	1
3	Lock Screw	Steel	Ni Plated, Color: Black	2
2	Thumb Screw	Steel	Ni Plated, Color: Black	2
1	Plastic Hood	PP	Plastic, Color: Black	1
NO.	Description	Material	Finish/Remark	Q'ty

Rotronic Co., Ltd.

UNIT (mm) .0 ± 0.20 .00 ± 0.10 .000 ± 0.03 ANGLE: ± 1°	DIM. CLASS ■ CRITICAL ▣ MAJOR () REF.	PART NAME			
		D-Sub Connector Casing			
3RD. ANGLE'S		DRAW		CHECK	APPROVE
		JACK		JAMES	JAMES
DRAWING NO.		SCALE		SHEET	REV.
A23001		1:1		1/1	TO