



Datenblatt - Fiche technique - Data sheet

14.99.3460



VALUE HDMI Verlängerung über Twisted Pair, 25m

VALUE Prolongateur HDMI via Cat. 5, 25m

VALUE HDMI Extender over Twisted Pair, 25 m

HDMI Extender over CAT.5

Model No. 14.99.3460

1.0 INTRODUCTION

It is equipped with HDMI (high definition multimedia interface) connectors and is capable of supporting DVI (digital visual interface) equipment when used with an HDMI to DVI Adapter, providing greater flexibility and options when integrating several home theater components.

The HDMI Extender offers solutions for residential consumers: HDTV retail and show site, HDTV, STB, DVD and Projector factories, noise, space and security concerns, data center control, information distribution, conference room presentation, school and corporate training environments.

1.1 BENEFITS

- 1) The length of HDMI cable is fixed and unchangeable after it is produced. Because the HDMI connector can only be soldered or terminated by the professional workers in factory, the users can not reduce or increase by themselves. However, CAT-5 cable is available everywhere and be processed easily by the user or installer.
- 2) Because the header of the long HDMI cable is big, using it must in hidden method. What's more, it is not easy to bend the HDMI cable and to pull it through the in-wall tube or tray. However, CAT-5 cable has no such problems.

1.2 FEATURES

The HDMI Extender has many features that enable them to perform in a superior manner. Among those features you will find:

- One pair as a full functional module, no need of setting.
- CAT-5 cable can substitute HDMI cable to achieve long distance transmission.
- Follow the standard of IEEE-568B.
- Transmission distance can be up to 30 meters for 1080p.
- Compact size.
- Signaling rates up to 1.65Gbps in support of 1080P display.
- HDCP compliant.

2.0 SPECIFICATIONS

Signal Inputs/Output	
Input Video Signal	0.5 -1.0 volts p-p
Input DDC Signal	5 volts p-p (TTL)
Maximum Single Link Range	1920X1200, 1080P
Output Video	HDMI 1.2a
Video format supported	
DTV/HDTV	1080P/1080i/720P/576P/480P/576i/480i
Resolutions(HDTV)	
Interlaced(50&60Hz)	480i,576i,1080i
Progressive(50&60Hz)	480p,576p,720p,1080p
Mechanical	
Size(W-H-D)	45mmW x 25mmH x 81mmD
Weight(Net)	0.246KGs
Power Consumption	5Watts (max.)
Environmental	
Operating Temperature	0 to +70°C
Operating Humidity	10% to 85 % RH (no condensation)
Storage Temperature	-10°C to +80°C
Storage Humidity	5% to 95 % RH (no condensation)
Power Requirement	
Output	5V DC 2A
Regulatory Approvals	
Converter Unit	FCC,CE,UL
Power Supply	UL,CE,FCC
Accessories Adapter	
AC Power Adapter	EUROPEAN standard,

Note: 1: In order to achieve the high transmission quality, please choose the shielded CAT-5 cable.

2: The cable with lower quality will not achieve the perfect transmission effect and long distance.

3: Theoretically the function of the product is normal when adopt short distance transmission.

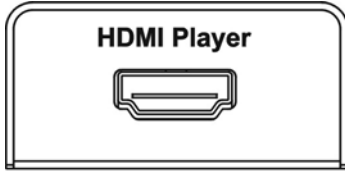
If the product cannot transmit long distance, this is to say, there are quality problems in the transmission cables.

3.0 PACKAGE CONTENTS

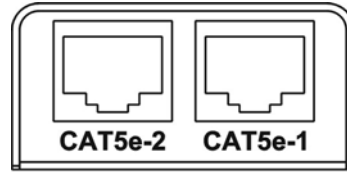
- 1) Sender
- 2) Receiver
- 3) Power Adapter
- 4) User's Manual

4.0 PANEL DESCRIPTIONS

Sender



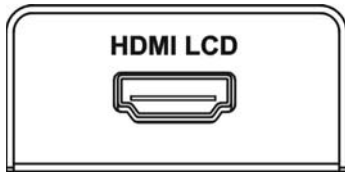
1



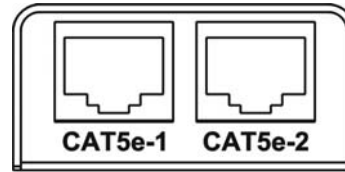
2

3

Receiver

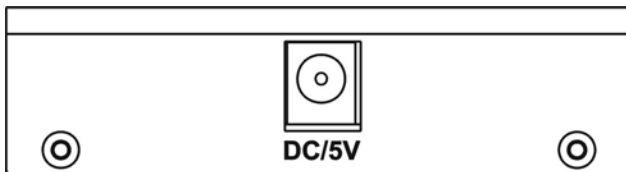


4



5

6



7

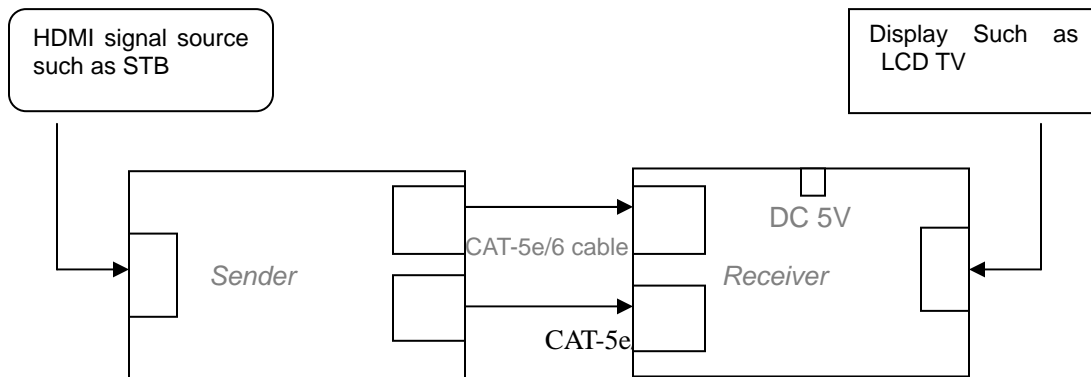
- 1) HDMI input.
- 2) CAT-5e output2.
- 3) CAT-5e output1.
- 4) HDMI output
- 5) CAT-5e input1
- 6) CAT-5e input2
- 7) Power Input

5.0 CONNECT AND OPERATE

- 1) Connect the HDMI input sources such as: HD-DVD、PS3、STB etc.
- 2) Connect two CAT-5 cables to both the output of the sender and input of the receiver.
- 3) Connect the HDMI output(such as : HD-LCD、HD-DLP)into receiver.
- 4) Plug the power into the receiver.

Attention: Insert / Extract cable gently.

5.1 CONNECTION DIAGRAM



6.0 TROUBLESHOOTING

If the product doesn't appear to be functioning, make certain that there are four points you should pay attention.

First, check the connection between the HDMI cable and the extender correctly. They all should be connected with a length 6 feet or less. (In other words, make certain that the problem is not caused by long cables).

Second, measure the cable length you are attempting to use between the sender and the receiver.

If the signal is present under those conditions, make certain that the power is present to the product. If it is, all cables should be premium quality.

Lastly, inspect the cables and connectors for damage.