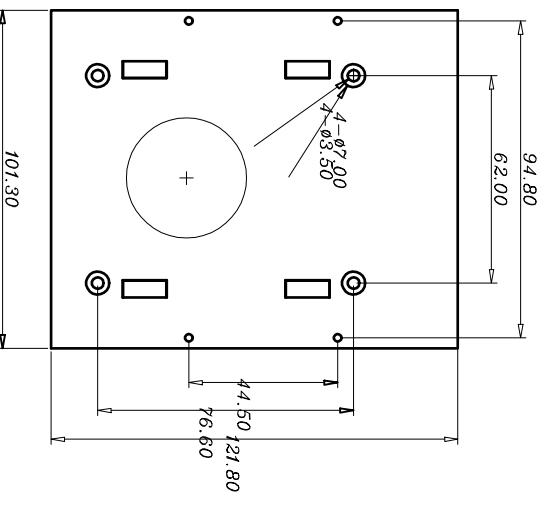
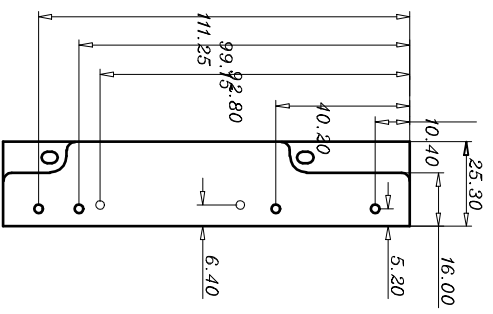
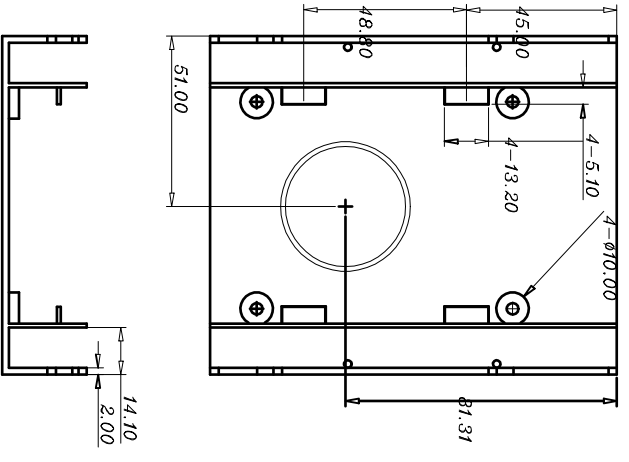
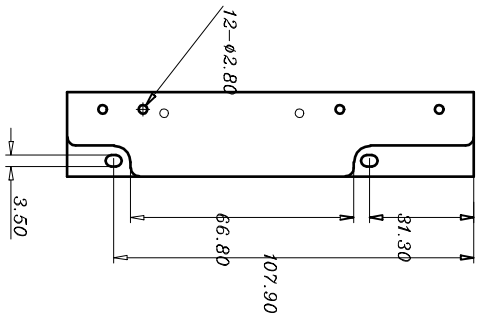
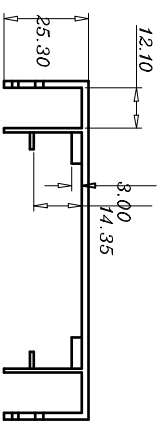


REV.	ECN NO.	DESCRIPTION	DATE	DESIGN



MATERIAL: ABS HB, BLACK

SECOMP

DIM	TOL
0 < 8	±0.05
8 ~ 25	±0.10
25 ~ 100	±0.15
> 100	±0.20

DESIGN:	Geary shino	2010-01-25
P/N:	16.01.5007	
DRAW NO.		
Material:		
FINISHED:		
UNIT:		

CHECK:				
APPROVED				
QTY:	1.0			
REV:	A			
SCALE:	1:1			
SIZE:				

ROUTINE HDD Mounting Adapter, Type 3.5 for 2x 2.5 HDDs