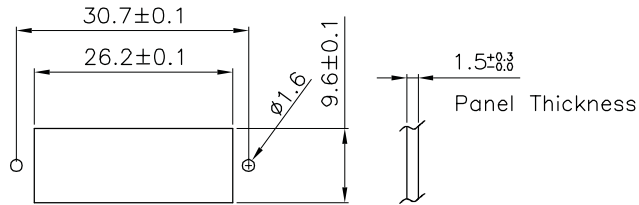
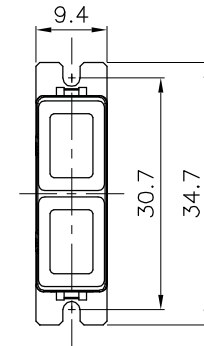
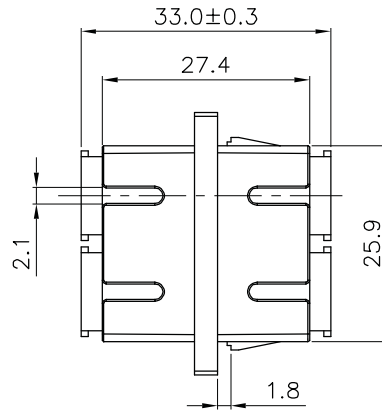
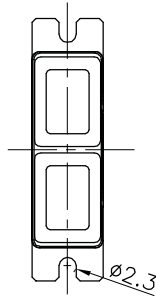
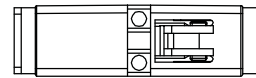


SCALE 1/1



SUGGESTED PANEL CUTOUT



### Specification :

Material :

1. SC Housing : PBT, UL 94V-0.
2. SC Dust Cover : PP, Black color.

Performance :

- a. Durability : 500 cycles.
- b. Tensile Strength : 4.5 kgf.
- c. Insertion Loss : <math><0.2</math> dB(Singlemode)/<math><0.3</math> dB(Multimode).
- d. Operating Temperature :  $-20^{\circ}\text{C}$  to  $+70^{\circ}\text{C}$ .
- e. Storage Temperature:  $-40^{\circ}\text{C}$  to  $+80^{\circ}\text{C}$ .

No.	MODIFIED AREA	ORIGINAL	MODIFY	DATE	MODIFIER

NO.	DESCRIPTION	P/N.	MATERIAL	Q'TY
"#": Matching DIM.	DRAWING	20.FEB.2017	byz	<b>SECOMP</b>
"*": Important DIM.	CHECK	20.FEB.2017	Jane	
Others General DIM.	APPROVAL	20.FEB.2017	Jaimy	
GENERAL TOLERANCE OF DIMENSIONS	DATE	NAME	ITEM NO.: 21.17.0085	
X.XXX ±0.005 X.XX ±0.05 X.X ±0.1	SCALE 1/1 (A4)	UNIT mm	DES.: SC One Piece Duplex Adaptor Flange	
		DRAWING NO.	(ADCC2) 15-38 SC One Piece Duplex Flange(SA1)	
		DRAWING CLASSIFICATION	S	SHEET 1 OF 1