



Datenblatt - Fiche technique - Data sheet

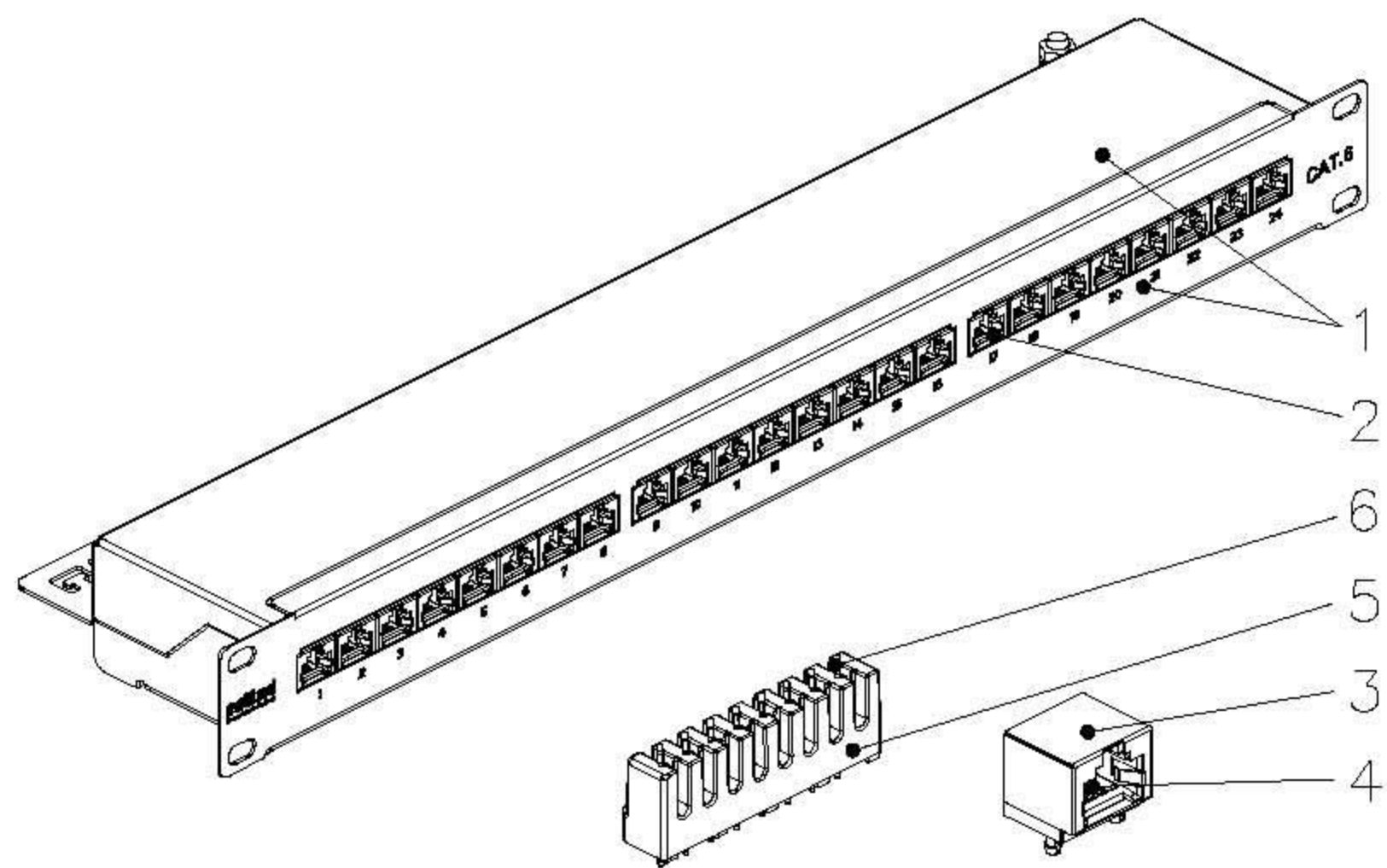
26.11.0361



ROLINE Kat. 6 / Class E 19"-Patchpanel, 24P, geschirmt, schwarz

ROLINE Panneau de brassage blindé 19" Cat.6 / classe E noir

ROLINE Cat.6/Class E 19" Patch Panel, 24 Ports, STP, black



IDC (KRO)
 Krone IDC
 RJ45
 RIGHT ANGLE JACK

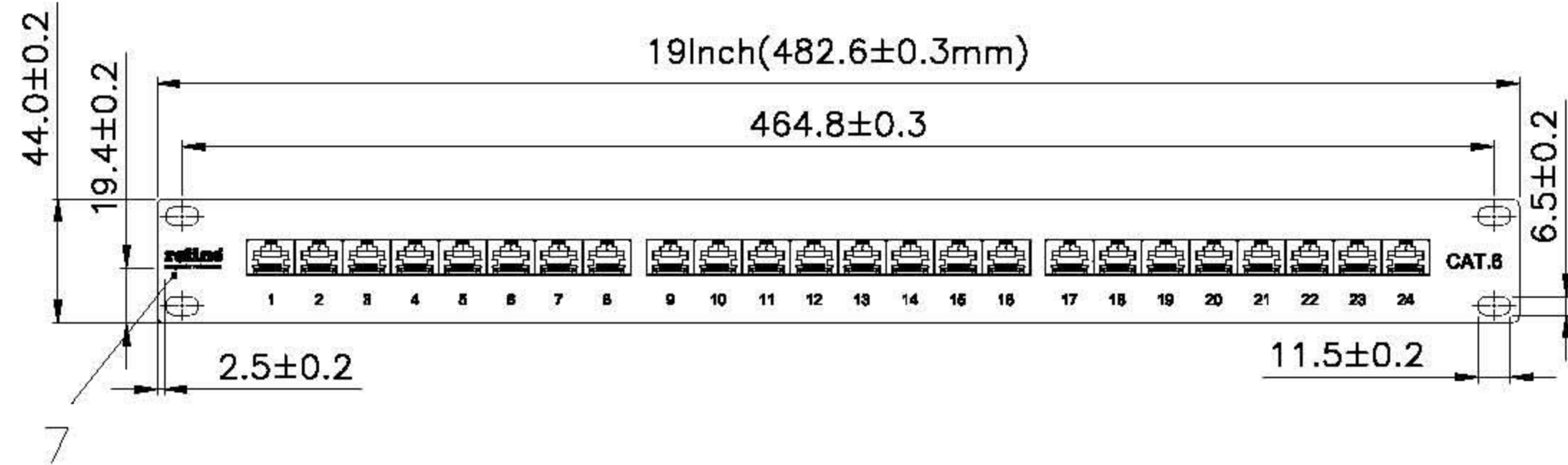
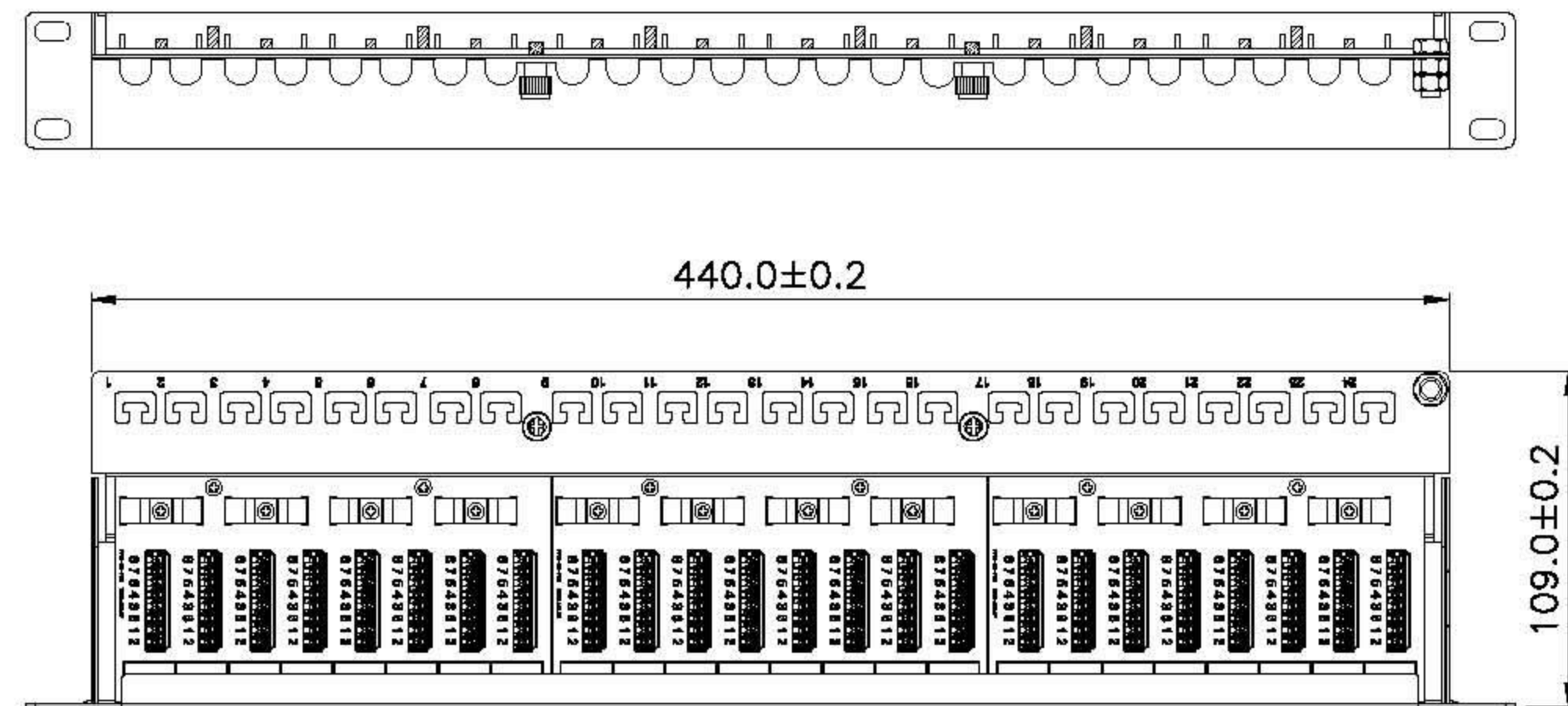
Specification : SCALE 1/4

Material :

1. Top & Bottom Case : SECC, 1.2mm thickness With Black/Gray color painted.
2. RJ45 Jack Housing : PBT, UL 94V-0.
3. RJ45 Jack Shield : Bronze with Nickel plated.
4. RJ45 Jack Contact material & finished :
 - 4-1. Phosphor Bronze, Round pin.
 - 4-2. Min.50 micro-inch Gold plating over 50-60 micro-inch Nickel plated.
5. IDC Housing : Polycarbonate, UL 94V-2, KRONE impact.
6. IDC Terminal material & finished :
 - 6-1. Phosphor Bronze with 50 micro-inch Tin plated.
 - 6-2. Krone tool only.
 - 6-3. Use for 22-26 AWG stranded & solid wire.
7. The color of the logo and number painted: Pantone 485C

Performance :

- a. The IDC color codes combine two wirings of T568A & T568B.
- b. Operation Temperature : -40°C to 80°C.
- c. Insertion Force : 900 gms for 8 contacts.
- d. Retention Strength : 7.7 kgs between Jack and Plug.
- e. Durability :
 - e-1. Jack : 750 cycles Plug-Jack mating and unmating test, insertion cycles at 20 cycles/minute max. Contact resistance test per 100 cycles.
 - e-2. IDC : Max. 200 punching times.
- f. The Cat.6 performance is in compliance with the ANSI/TIA/EIA 568 B.2-1 standard.



GENERAL TOLERANCE OF DIMENSIONS X.XXX ±0.005 X.XX ±0.05 X.X ±0.1	DRAWING	19.MAR.2009	Connie	<h1>rotronic</h1>	
	CHECK	19.MAR.2009	KLi		
	APPROVAL	19.MAR.2009	Yty		
			DATE	NAME	ITEM NO.: 26.11.0351,61
SCALE		1/4(A4)	UNIT	mm	DES.: CAT.6 Full Shielded PatchPanel
		DRAWING NO. PPSA24-C6-KRXC(SA1)			
		DRAWING CLASSIFICATION			SHEET 1 OF 1