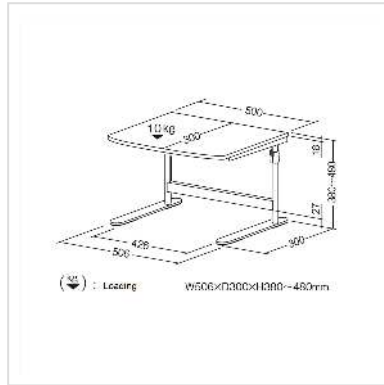


ROLINE Laptop / Mini Printer Table, height adjustable, grey

Product No.	17.01.1086
Manufacturer	ROLINE
Manufacturer No.	17.01.1086
EAN (single piece)	7630049618626

roline
Designed for Professionals



Printer table or laptop shelf as an attachment for the desk - versatile and ergonomic to work with a laptop when standing or as a shelf for smaller printers, copiers and scanners. For more efficient working in the office!

- Perfectly suited in the office or home office as a desk attachment for smaller printers, copiers and scanners or similar devices
- Also perfect as a laptop shelf to work ergonomically while standing
- Easy to adjust in height by two levers
- Sturdy metal frame
- Printer level (W×D: 50×29cm)
- Load capacity: up to 10kg
- Color:
 - Frame: light grey
 - Plate: white
- Dimensions (H×W×D): min/max. 39/49×50×30cm
- Weight: 5kg

Technical specifications

Manufacturer	ROLINE
Product group	Furniture
Product type	printer table
Colour	grey

width table top	50 cm
depth table top	30 cm
Height	390 mm
Width	500 mm
Depth	300 mm
Weight	4953.3 g
Height of packaging (single piece)	80 mm
Width of packaging (single piece)	410 mm
Depth of packaging (single piece)	560 mm
Package weight (single piece)	5.7 kg