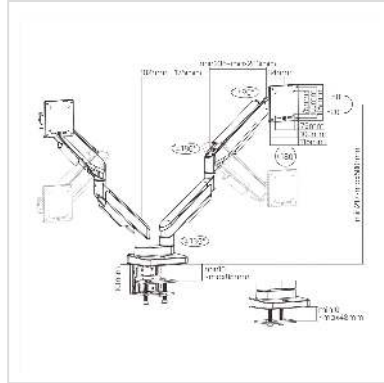


ROLINE DualLCD Monitor Stand, Gas Spring, Desk Clamp, 2x < 88 cm (35"), Heavy Duty <= 20 kg, 5 Joints

Product No.	17.03.1109
Manufacturer	ROLINE
Manufacturer No.	17.03.1109
EAN (single piece)	7630049627697

roline[®]
Designed for Professionals



Dual LCD monitor arm, for easy and reliable adjustment of two monitors with up to 20 kg each (weight adjustment between 2 kg and 20 kg) and VESA 75x75/100x100!

- Delicate and streamlined design
- Made of high quality aluminum alloy
- Gas spring allows easy positioning of the monitor
- Meets VESA 75 (75x75 mm) and VESA 100 (100x100 mm)
- Detachable VESA Plate enables easy installation
- Pivot function - screen is 90 degrees rotatable
- A clever cable management is built into the rear arm
- Color: Matte Black & Dark Grey

Specifications:

- Fits Curved Monitors: Yes
- Fits screen sizes: < 2x 88cm (17" ~ 35")
- Weight/Load Capacity (per screen): 2 ~ 20kg
- VESA Compatible: 75x75, 100x100
- Tilt Range: +50° ~ -20°
- Swivel Range: +90° ~ -90°
- Screen Rotation: +180° ~ -180°
- Arm Full Extension: 458mm
- Installation: Clamp, Grommet
- Suggested Desktop Thickness:

Clamp 10~85mm

Grommet 10~48mm

- Fits Curved Monitors: Yes

- Quick Release VESA Plate: Yes

- Cable Management: Yes

Technical specifications

Manufacturer	ROLINE
Product group	LCD-Monitor arms
Product type	Monitor Arms, Desk Clamp
Colour	black / gray
Load capacity	40 kg
Quantity of pivots	2x 5
Fixing	Desk clamp
Maximal arm length	458
Adjustments	Gas spring
Inclinable	yes
Height adjustable	yes
Rotatable	yes
Number of monitors	2
Max. Screen diagonal (cm)	88 cm
Max. Screen diagonal (inch)	35 inch
Min. Screen diagonal (cm)	43 cm
Min. Screen diagonal (inch)	17 inch
VESA 75 x 75 mm	yes
VESA 100 x 100 mm	yes
Material group	metal
Weight	8558 g

Height of packaging (single piece)	200 mm
---------------------------------------	--------

Width of packaging (single piece)	330 mm
--------------------------------------	--------

Depth of packaging (single piece)	430 mm
--------------------------------------	--------

Package weight (single piece)	9.5 kg
----------------------------------	--------