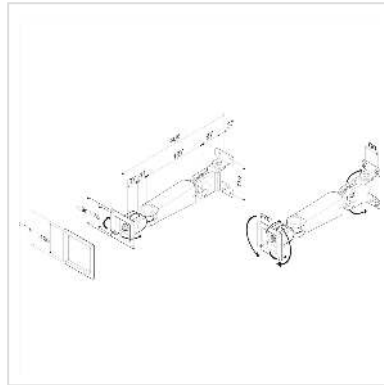


ROLINE LCD Monitor Arm Standard, Wall Mount, 4 Joints

Product No.	17.03.1123
Manufacturer	ROLINE
Manufacturer No.	17.03.1123
EAN (single piece)	7611990149766



- These LCD monitor arms are meeting today's requirements for LCD screens together with a better Screen flexibility, also by an ergonomical point of view
- It offers the possibility to adjust the monitor on 4 turning points
- To be installed on walls
- Because of the included VESA-Standard fixing VESA 75 (75x75 mm) and VESA 100 (100x100 mm) a universal monitor fixing is possible
- For LCD monitors of 1-6 kg

Technical specifications

Manufacturer	ROLINE
Product group	LCD-Monitor arms
Product type	Monitor Arms, wall mount
Colour	silver
Scope of delivery	screw, tool, instructions, monitor arms, VESA
Load capacity	6 kg
Quantity of pivots	4
Fixing	wall mount
Maximal arm length	340 mm
Adjustments	Adjustable spring gauge

Number of monitors	1
VESA 75 x 75 mm	yes
VESA 100 x 100 mm	yes
Material group	metal
Technical particularity	cable management
Weight	2434.5 g
Height of packaging (single piece)	110 mm
Width of packaging (single piece)	140 mm
Depth of packaging (single piece)	420 mm
Package weight (single piece)	2.786 kg