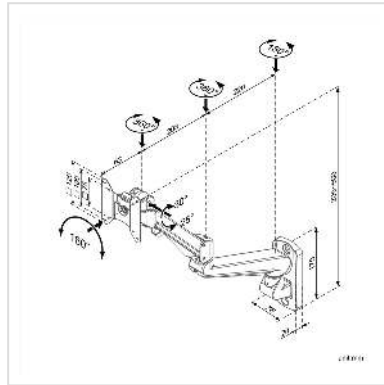


ROLINE LCD Monitor Stand Pneumatic, Wall Mount, Pivot, 2 Joints

Product No.	17.03.1178
Manufacturer	ROLINE
Manufacturer No.	17.03.1178
EAN (single piece)	7611990132348



- Delicate and streamlined design
- Made of high quality aluminum alloy
- Gas spring integrated allows users to move the LCD panel in most positions at will
- Meets VESA 75 (75x75 mm) or VESA 100 (100x100 mm)
- Special feature: Pivot function - screen is 90 degrees rotatable
- Wall Mount
- A clever cable management is built into the rear arm

Specifications:

- Arm extension: ~ 486 mm
- Lift: 200 ~ 500 mm
- Monitor pivot: 180°
- Rotation: 360° (arm & display)
- Loading capacity: 3 ~ 8 kg

Technical specifications

Manufacturer	ROLINE
Product group	LCD-Monitor arms
Product type	Monitor Arms, wall mount
Colour	silver
Load capacity	8 kg

Quantity of pivots	4
Fixing	Wall Mount
Maximal arm length	486 mm
Adjustments	Gas spring
Inclinable	yes
Height adjustable	yes
Rotatable	yes
Number of monitors	1
VESA 75 x 75 mm	yes
VESA 100 x 100 mm	yes
Material group	metal
Technical particularity	Pivot functionality
Weight	2599.6 g
Height of packaging (single piece)	130 mm
Width of packaging (single piece)	330 mm
Depth of packaging (single piece)	610 mm
Package weight (single piece)	3.606 kg