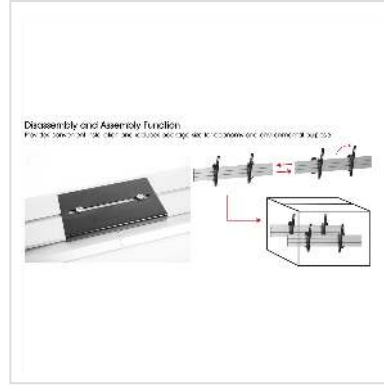
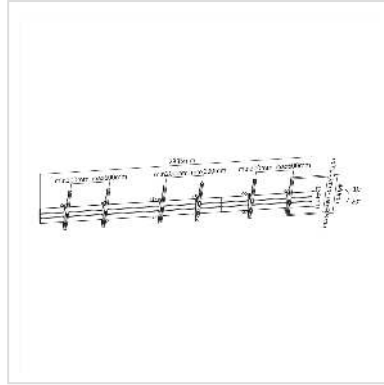


ROLINE Menu Board TV Wall Mount Sytem, 3x Displays, up to 127cm (50")

Product No. 17.03.1253 **roline**
Manufacturer ROLINE Designed for Professionals
Manufacturer No.



Install a new or expand an existing linear display installation with this Menu Board TV wall mount for up to three monitors (max. 127cm 50") - the adjustments are easily achieved through levels in the holders, so the alignment is as easy and the installation time is as short as it gets!

- Supports maximum VESA 600x400 (VESA: 200x200, 300x200, 300x300, 400x200, 400x300, 400x400, 600x400)
- Versatile use for customer information and communication - directly at the point of sale or point of interest:
 - Display information films on the attached monitors (e.g. at trade fairs, in museums or in shops)
 - Use advertisements for the orientation of visitors (e.g. in conference rooms)
 - Show current offers or menus digitally in your shop
- Heavy quality: the fixing rod is made of light, durable aluminium, the VESA holders are made of solid steel
- Angle of inclination adjustable via steps from -10° to approximately $+20^{\circ}$, the orientation can be fixed in the desired position for quick and easy installation
- Suitable for indoor use
- Load capacity up to 50kg
- Dimensions: 2885x440x102mm (WxHxD)

Technical specifications

Manufacturer	ROLINE
Product group	LCD-Monitor arms

Product type	TV Wall Mount
Colour	grey
Load capacity	50 kg
Quantity of pivots	1
Adjustments	Adjustable spring gauge
Number of monitors	3
VESA 200 x 200 mm	yes
VESA 300 x 200 mm	yes
VESA 300 x 300 mm	yes
VESA 400 x 200 mm	yes
VESA 400 x 300 mm	yes
VESA 400 x 400 mm	yes
VESA 600 x 400 mm	yes
Material group	metal
Height	440 mm
Width	2885 mm
Depth	102 mm
Weight	9531.4 g