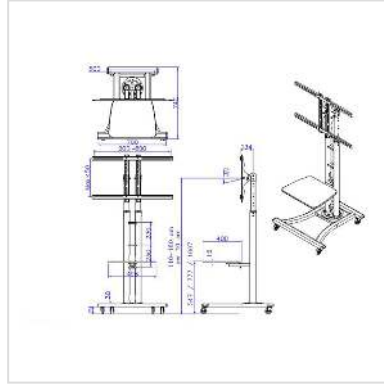


VALUE LCD/Plasma TV Cart, silver

Product No.	17.99.1320
Manufacturer	VALUE
Manufacturer No.	17.99.1320
EAN (single piece)	7611990198474



Ideal for applications in conference rooms or class rooms!

- For an easy mobile use of a large LCD monitor or flat-screen TV
- For fixing LCDs with screen size: 69 - 152 cm (27" - 60")
- Load capacity: up to 50 kg
- Adjustable height: 110 up to 180 cm
- TV can be tilted downward up to 15 degrees
- Platform for e. g. holding a DVD player or notebook (WxD): 498 x 400 mm
- Cables can go through the tube
- Four wheels for easy movement whereof two are lockable

Technical specifications

Manufacturer	VALUE
Product group	LCD-Monitor arms
Product type	Mobile Carts
Colour	silver
Load capacity	50 kg
Adjustments	Adjustable spring gauge
Inclinable	yes
Height adjustable	yes
Number of monitors	1

Max. Screen diagonal (cm)	152 cm
Max. Screen diagonal (inch)	60 inch
Min. Screen diagonal (cm)	69 cm
Min. Screen diagonal (inch)	27 inch
VESA 200 x 200 mm	yes
VESA 300 x 300 mm	yes
VESA 400 x 200 mm	yes
VESA 400 x 300 mm	yes
VESA 400 x 400 mm	yes
VESA 600 x 200 mm	yes
VESA 600 x 400 mm	yes
VESA 800 x 400 mm	yes
Material group	metal
Technical particularity	Height: 1235 to 1585 mm
Weight	30.75 kg
Height of packaging (single piece)	250 mm
Width of packaging (single piece)	790 mm
Depth of packaging (single piece)	1100 mm
Package weight (single piece)	40 kg